

CODEMA

Multi-product + Advanced Technology + System Solution

CODEMA sets high quality products and advanced technology in one, in addition to the lifting industry experts and experience A wealth of engineers; It also offers a wide range of products and safe and reliable system solutions. And to best serve our customers.





Multi-product + Advanced Technology + System Solution

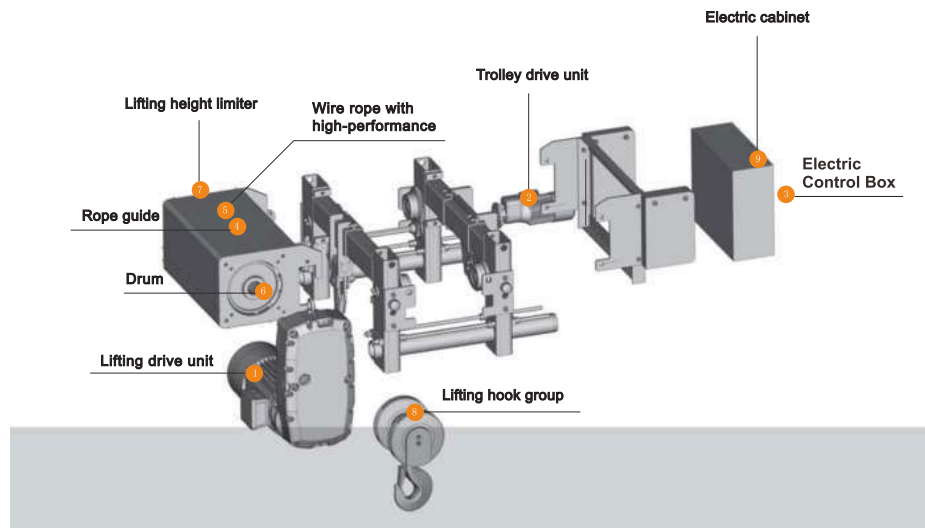
CODEMA sets high quality products and advanced technology in one, in addition to the lifting industry experts and experience A wealth of engineers; It also offers a wide range of products and safe and reliable system solutions. And to best serve our customers.

BMG SERIES EUROPEAN ELECTRIC WIRE ROPE HOIST



lifting drive unit

High-performance , large driving force and compact structure
 Various components are running efficiently to ensure high efficiency
 Low energy consumption, low noise and eco-friendly design
 Smooth running, low impact, safe and reliable
 No-wear design, long service life
 Electrical connection sustained rate is up to 60% to meet the demands of the high frequency lifting
 Service life to asbestos-free brake can be up to one million times
 High protection grade of brake can meet the requirements of severe environment



Product Features



Trolley drive unit
 Trinity of high-performance motor, reduction gearbox and brake.
 Compact structure, excellent performance.
 Low energy consumption , low noise and eco-friendly design.
 Variable frequency control, smooth running , low impact and meeting requirements of a variety of speed.
 Asbestos-free brake disc and its normal service life can be up to one million times. No-wear design, maintenance-free, long service life.



LCD weighing indicator
 LCD display lifting weight, showing overload situation, be clear at a glance.



Rope guide
 Light weight, good wear resistance ,to reduce the wear of wire rope effectively.
 Prevent wire rope from skipping and losing to off-groove and safety first.



Wire rope with high-performance
 The imported wire rope of high performance with tensile strength up to 2160MPa.
 The surface with galvanized processing for corrosion prevention effectively.
 With good flexibility to ensure wear resistance of the wire rope and prolong its service life



Drum
 Use the Q345 type seamless steel tube as raw material and process it by numbers of working procedure.
 Advanced processing methods to ensure concentricity of the drum.
 The depth of rope groove is in compliance with the FEM standard.
 High-strength pressing plates and bolts are fastened on the end of the wire rope to ensure the safety of lifting .



Lifting height limiter
 Freely adjustable screw lifting height limiter with high precision, wide adjustment range, safe and reliable .
 Multiple-contact configurations can effectively achieve the function of transition with low and high speed and the stop during the rise and fall .

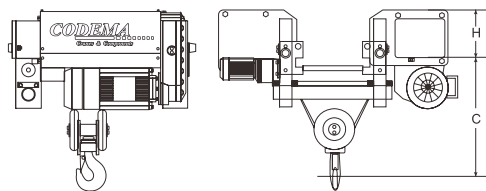


Lifting hook group
 DIN standard of lifting hook with safety clasp and wire rope sheath ergonomic design.
 Forged by the high-strength material of T grade.
 Accompanied with nondestructive test certification of lifting hook randomly



Electric cabinet
 Rational design, convenient maintenance, decreasing running cost.
 Professional and high quality of electrical components, safe and reliable.
 Multiple safety protection devices to ensure equipment safe. Protection grade IP55.
 Clear identification to easy for trouble removal

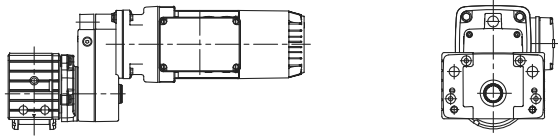
EUROPEAN ELECTRIC WIRE ROPE HOIST (SINGLE GIRDER)



CODEMA EUROPEAN ELECTRIC WIRE ROPE HOIST TECHNICAL PARAMETERS (SINGLE GIRDER)

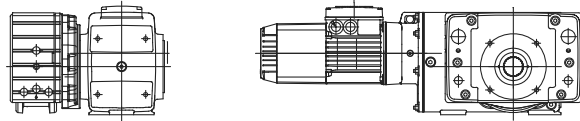
Hoist capacity	Model	Lifting height	Lifting speed	Lifting motor	Traveling speed	Traveling motor	Lifting grade		Runing grade		H	C	Beam Width
							FEM	ISO	FEM	ISO			
3200kg	BMG-3.2	6	5/0.8m/min	3.2/0.45	5-20m/min	0.64kw	2M	M5	3M	M6	188	696	150-300
	BMG-3.2	9	5/0.8m/min	3.2/0.45	5-20m/min	0.64kw	2M	M5	3M	M6	188	696	150-300
	BMG-3.2	12	5/0.8m/min	3.2/0.45	5-20m/min	0.64kw	2M	M5	3M	M6	188	696	150-300
	BMG-3.2	15	5/0.8m/min	3.2/0.45	5-20m/min	0.64kw	2M	M5	3M	M6	188	696	150-300
	BMG-3.2	18	5/0.8m/min	3.2/0.45	5-20m/min	0.64kw	2M	M5	3M	M6	188	696	150-300
5000kg	BMG-5.0	6	5/0.8m/min	6.1/1	5-20m/min	0.64kw	2M	M5	2M	M5	178	696	200-350
	BMG-5.0	9	5/0.8m/min	6.1/1	5-20m/min	0.64kw	2M	M5	2M	M5	178	696	200-350
	BMG-5.0	12	5/0.8m/min	6.1/1	5-20m/min	0.64kw	2M	M5	2M	M5	178	696	200-350
	BMG-5.0	18	5/0.8m/min	6.1/1	5-20m/min	0.64kw	2M	M5	2M	M5	178	696	200-350
6300kg	BMG-6.3	6	5/0.8m/min	6.1/1	5-20m/min	0.64kw	2M	M5	2M	M5	178	696	200-350
	BMG-6.3	9	5/0.8m/min	6.1/1	5-20m/min	0.64kw	2M	M5	2M	M5	178	696	200-350
	BMG-6.3	12	5/0.8m/min	6.1/1	5-20m/min	0.64kw	2M	M5	2M	M5	178	696	200-350
	BMG-6.3	15	5/0.8m/min	6.1/1	5-20m/min	0.64kw	2M	M5	2M	M5	178	696	200-350
	BMG-6.3	18	5/0.8m/min	6.1/1	5-20m/min	0.64kw	2M	M5	2M	M5	178	696	200-350
8000kg	BMG-8.0	6	5/0.8m/min	9.5/1.5	5-20m/min	0.96kw	2M	M5	3M	M6	325	750	200-410
	BMG-8.0	9	5/0.8m/min	9.5/1.5	5-20m/min	0.96kw	2M	M5	3M	M6	325	750	200-410
	BMG-8.0	12	5/0.8m/min	9.5/1.5	5-20m/min	0.96kw	2M	M5	3M	M6	325	750	200-410
	BMG-8.0	15	5/0.8m/min	9.5/1.5	5-20m/min	0.96kw	2M	M5	3M	M6	325	750	200-410
10000kg	BMG-10.0	6	5/0.8m/min	9.5/1.5	5-20m/min	0.96kw	2M	M5	2M	M5	325	750	200-410
	BMG-10.0	9	5/0.8m/min	9.5/1.5	5-20m/min	0.96kw	2M	M5	2M	M5	325	750	200-410
	BMG-10.0	12	5/0.8m/min	9.5/1.5	5-20m/min	0.96kw	2M	M5	2M	M5	325	750	200-410
	BMG-10.0	15	5/0.8m/min	9.5/1.5	5-20m/min	0.96kw	2M	M5	2M	M5	325	750	200-410
12500kg	BMG-12.5	6	5/0.8m/min	12.5/2	5-20m/min	0.96kw	1M	M4	1M	M4	325	750	200-410
	BMG-12.5	9	5/0.8m/min	12.5/2	5-20m/min	0.96kw	1M	M4	1M	M4	325	750	200-410
	BMG-12.5	12	5/0.8m/min	12.5/2	5-20m/min	0.96kw	1M	M4	1M	M4	325	750	200-410
	BMG-12.5	15	5/0.8m/min	12.5/2	5-20m/min	0.96kw	1M	M4	1M	M4	325	750	200-410
	BMG-12.5	18	5/0.8m/min	12.5/2	5-20m/min	0.96kw	1M	M4	1M	M4	325	750	200-410

CODEMA MOTOR

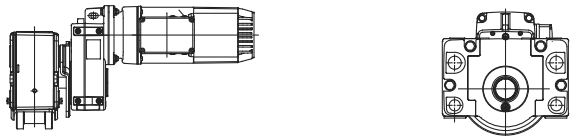


offset geared motors

angular geared motors

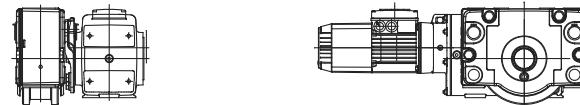


Type	Speed(25m/min)			Speed(32m/min)			Speed(40m/min)		
	Ratio	Gear	Motor	Ratio	Gear	Motor	Ratio	Gear	Motor
BRS112	32	BMD2	0.37KW	25	BMD2	0.37KW	20	BMD2	0.64KW
BRS125	32	BMD2	0.37KW	25	BMD2	0.37KW	25	BMD2	0.64KW
BRS160	42	BMD2	0.37KW	32	BMD2	0.64KW	32	BMD3	0.96KW
BRS200	63	BMD3	0.64KW	42	BMD3	0.96KW	42	BMD3	1.3KW



offset geared motors

angular geared motors



Type	Speed(25m/min)			Speed(32m/min)			Speed(40m/min)		
	Ratio	Gear	Motor	Ratio	Gear	Motor	Ratio	Gear	Motor
BRS112	72	BMD4	0.96KW	63	BMD4	1.3KW	42	BMD4	1.9KW
BRS125	105	BMD5	1.3KW	72	BMD5	1.9KW	63	BMD6	2.6KW
BRS160	120	BMD6	1.9KW	90	BMD6	2.6KW	72	BMD7	3.8KW
BRS200	150	BMD7	2.6KW	120	BMD7	3.8KW	105	BMD7	3.8KW

